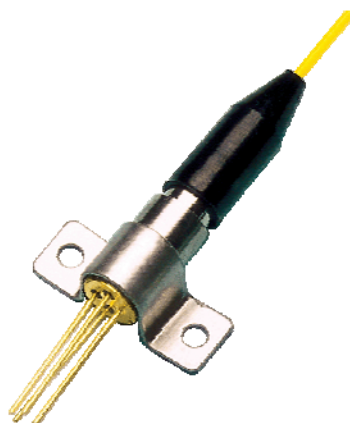


# 1310nm DFB Pigtail Laser Module

## Features

- MQW 1310nm DFB LD
- Low threshold current
- High output power
- Built-in InGaAsP monitor PD
- Wide temperature range operation  
(Tc=-45 to +85°C)



## Applications

- CATV Reverse Transmission

## Absolute maximum ratings

Parameter	Symbol	Min.	Max.	Unit	Test condition
Storage temperature	T <sub>st</sub>	-40	+100	°C	-
Operating temperature	T <sub>op</sub>	-40	+85	°C	-
Reverse voltage	V <sub>R</sub>		2	V	CW
Soldering temperature/time			260/10	°C/S	-

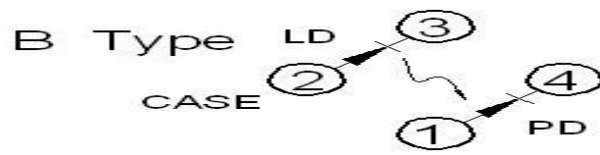
## Optical & electrical characteristics

Parameter	Symbol	Min.	Typ.	Max.	Unit	Test condition
Center wavelength	$\lambda_c$	1290	1310	1330	nm	-
Threshold current	I <sub>th</sub>	-	5	15	mA	1310nm, 25°C
Spectral width	$\Delta\lambda$	-	0.5	1	nm	CW, I <sub>th</sub> +20mA
Side mode suppression ratio	SMSR	30	40	-	dB	
Output power	P	-	2	4	mW	CW, I <sub>th</sub> +20mA
Operating voltage	V <sub>op</sub>	-	1.1	1.5	V	CW, I <sub>th</sub> +20mA
Rise/ Fall time	T <sub>r</sub> /T <sub>f</sub>	-	0.3	0.7	nS	CW, I <sub>th</sub> +20mA
Monitor current	I <sub>m</sub>	0.1	0.7	-	mA	CW, I <sub>th</sub> +20mA
Optical Isolation	Iso	30	-	-	dB	25°C

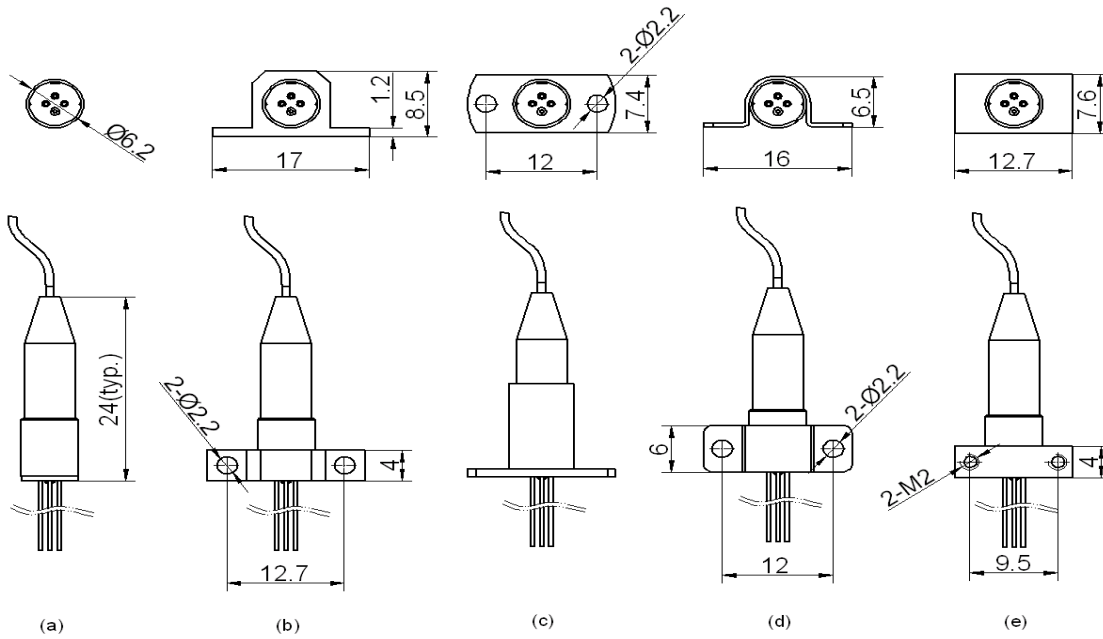
Note: customers can choose build-in isolator.

**PIN assignment:** (bottom view)

---



pin 1: Monitor Diode Anode  
 pin 2: Laser Anode and Case Gnd  
 pin 3: Laser Cathode  
 pin 4: Monitor Diode Cathode



## Ordering information

Isolator	Output Power	Saddle	Connector
0:NO	1:0.3-0.5mW	1:A	00:NO
1:Single	2:0.5-1.5mW	2:B	FC:FC
2:Double	3:1.5-2.0mW	3:C	ST: ST
	4:2.0-4.0mW	4:D	SC:SC
		5:E	