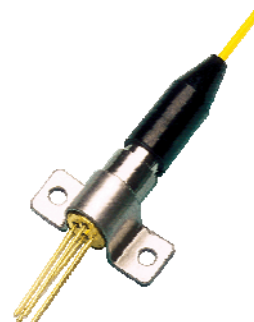


CWDM DFB Pigtail Laser Module

Features

- MQW DFB LD
- Low threshold current
- High output power
- Built-in InGaAsP monitor PD
- Wide temperature range operation
(Tc=-45 to +85°C)



Applications

- Audio, Video, Data CWDM Transmission

Absolute maximum ratings

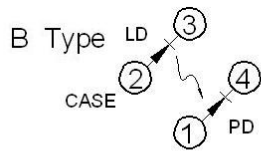
Parameter	Symbol	Min.	Max.	Unit	Test condition
Storage temperature	T _{st}	-40	+100	°C	-
Operating temperature	T _{op}	-40	+85	°C	-
Reverse voltage	V _R		2	V	CW
Soldering temperature/time			260/10	°C/S	-

Optical & electrical characteristics

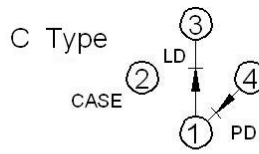
Parameter	Symbol	Min.	Typ.	Max.	Unit	Test condition
Center wavelength	λ_c	1450~1610nm (S+C+L band nm)			nm	-
Threshold current	I _{th}	-	5	15	mA	1310nm, 25°C
Spectral width	$\Delta\lambda$	-	1	2	nm	CW, I _{th} +20mA
Side mode suppression ratio	SMSR	30	40	-	dB	
Output power	P	-	2	4	mW	CW, I _{th} +20mA
Operating voltage	V _{op}	-	1.1	1.5	V	CW, I _{th} +20mA
Rise/ Fall time	Tr/Tf	-	0.3	0.7	nS	CW, I _{th} +20mA
Monitor current	I _m	0.1	0.7	-	mA	CW, I _{th} +20mA
Optical Isolation	Iso	30	-	-	dB	25°C

Note: customer can choose the built-in isolator according to their requirements.

PIN assignment: (bottom view)

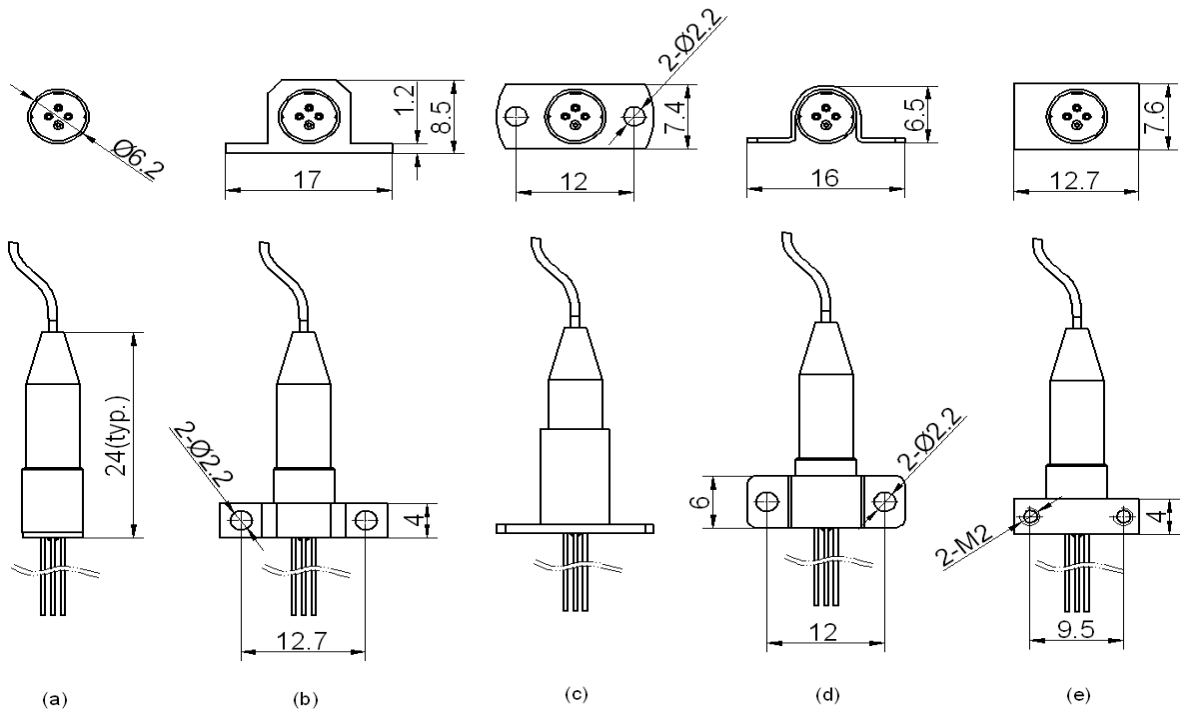


pin 1: Monitor Diode Anode
 pin 2: Laser Anode and Case Gnd
 pin 3: Laser Cathode
 pin 4: Monitor Diode Cathode



pin 1: Laser Anode/Monitor Diode Cathode
 pin 2: Case Gnd
 pin 3: Laser Cathode
 pin 4: Monitor Diode Anode

Saddle Type:



Ordering information

Isolator	Output Power	Saddle	Connector	PIN Assignment
0:NO 1:Single 2:Double	1:0.3-0.5mW 2:0.5-1.5mW 3:1.5-2mW 4:2-4mW	1:A 2:B 3:C 4:D 5:E	00:NO FC:FC ST: ST SC:SC	B: type B C: type C